

## High Temperature-Filter Housing Type Causa NNE-HT

Professional Housing for extreme working condition. Made of glass-reinforced high quality thermoplastic polymer, NNE-HT filter housings are a technical alternative to Brass and Stainless housings.

These housings can withstand temperatures up to a maximum of 90°C and pressure up to 8 bar. Excellent chemical compatibility makes NNE-HT housings an ideal choice for a wide variety of industrial applications.

High quality VITON® O-ring for a perfect sealing.

### Applications

- Purification of tap, demineralized water
- Amines
- Alcohols
- Acids
- Alkalis
- Oils

### Feature and Benefits

- Available in 9”3/4 and 20” length;
- With In-Out high resistance thread BSP 1/2” - 3/4” - 1” female;
- Excellent alternative to brass and stainless housings
- Suitable for All Range of AQUA cartridges
- Up to 90°C (194°F) and 8 bar (116 PSI) working condition



NNE-10-GFX

### Technical Data NNE

<b>Max. pressure</b>	8 bar
<b>Max. temperature</b>	90°C
<b>Material head</b>	PBT
<b>Material bowl</b>	PBT + FV
<b>Gasket</b>	FKM (Viton)

### Suitable for many filter cartridges

Description	Type	Filter grade	Composition
Winding filter cartridges	Causawind	1 - 100µm	Thread winding (PP, cotton) on support body (PP, SS 316)
Melt-blown filter cartridges	Causafine,	1 - 50µm	Structurally different polypropylene melt blown filter cartridges. Depending on the type, one or more layers.
	Causapure,	0.5 - 100µm	
	Causagard	1 - 100µm (abs.)	
Micro fiber filter cartridges	Causa-Polyglas-R	0.3 - 5µm	Depth filter candle with very high dirt holding capacity and high selectivity. Safe thanks to integrated PE post-filter.
Micro fiber filter cartridge	Causafil	0.2 - 20µm (99.9%)	Pleated surface filter with large surface and dirt absorption. Causa-PES is a membrane filter cartridge with absolute degrees of separation and can be checked for integrity.
	Causasave	0.2 - 40µm (99.99%)	
	Causa-PES	0.04 - 1.2µm (absolute)	
Stainless steel mesh	Causamesh	ca. 15 - 250µm	Cylindrical as well as pleated stainless steel mesh filter cartridges.

Code	Position	Color	General information on the materials used
PBT	Filter Head	white	The maximum dimensional stability temperature is correspondingly lower at 180 to 200° C, but the long-term dimensional stability under heat is the same at 100 to 120 ° C.
Viton®	O-Ring	black	Perfluoro rubber (FKM); Temp. resistance: -15 to +180 ° C. Good chemical resistance to organic solvents, as well as acids and alkalis.

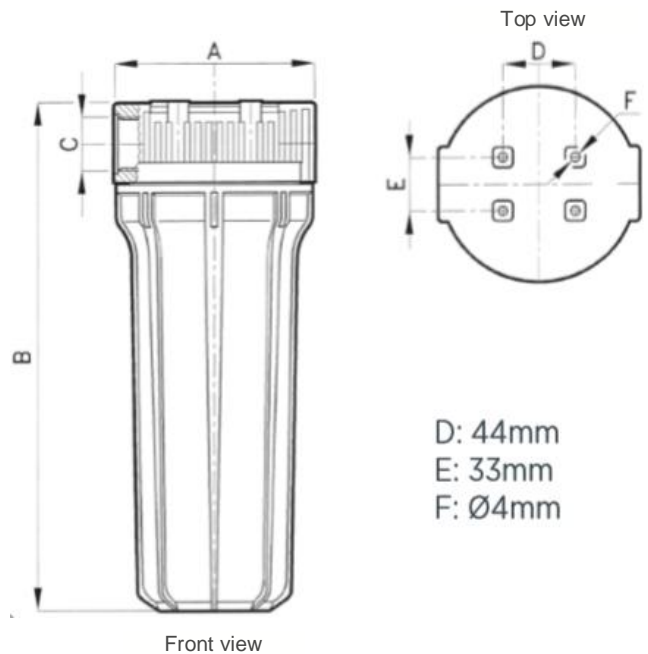
## Installation instructions

The all-plastic filters are designed as T-filters for vertical installation. The filters are attached using the mounting bracket to be screwed onto the filter head (see accessories) or via the pipeline.

The flow through the filters is always according to the label (input: IN, output: OUT).

These filter housings may only be installed with the sump down.

Attention: All plastic filter housings must be protected against frost. Frost breaks lead to the housing bursting. The filter housing should be installed protected from direct sunlight!



## Accessories, spare parts

Art.-No.	Description	10 and 20"
310226	Mounting bracket with screws	NNE
901660	Viton® FKM O-Ring	NNE
310258	Opening key	NNE



## Ordering information for filter housing Causa type NNE-HT

Example: NNE-10-GFX = Causa type NNE-Natural, filter length 9 3/4", for filter type double open end on both sides, connections G 3/4" thread

Ident code	Filter length [inch]	End cap configuration	Port (C) BSP (G)	Venting	Recom- mended max. [L]	Dimensions				Weight [kg]
						A [mm]	B [mm]	D [mm]	E [mm]	
NNE-10-GEX	9 3/4"	DOE	G 1/2"	none	4 - 28	122	310	44	33	15.9
NNE-10-GFX	9 3/4"	DOE	G 3/4"	none	4 - 28	122	317	44	33	16.3
NNE-10-GGX	9 3/4"	DOE	G 1"	none	4 - 38	122	325	44	33	16.8
NNE-20-GEX	20"	DOE	G 1/2"	none	4 - 60	122	570	44	33	16.7
NNE-20-GFX	20"	DOE	G 3/4"	none	4 - 60	122	577	44	33	17.0
NNE-20-GGX	20"	DOE	G 1"	none	4 - 60	122	585	44	33	17.7