

# Stainless Steel Filter Housing Type Causa TSA/TSB

## Causa Stainless Steel - TSA and TSB Screw Type Filter Housing

The stainless steel / stainless steel filter housing of the TSA and TSB series with screw cap, can be used both for the purification of liquids and gases. By using different adaptation possibilities a wide variety of filter elements may be used. The connections N3 and N4 allow the mounting of a differential pressure indicator

### Applications

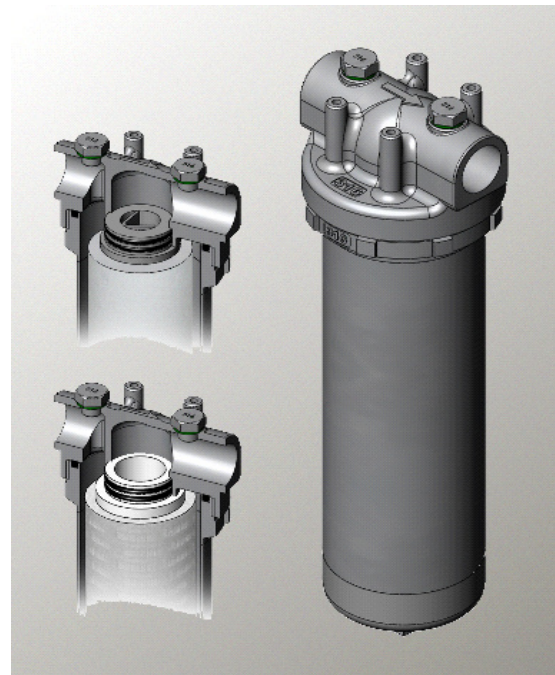
- Suitable for higher temperatures
- Suitable for pressures up to 25bar
- Before and fine filtration of water
- Alcohols
- Chemistry
- Electronics
- Surface Technology
- Photographic Solutions
- Gases to 300°C.

### Features & Benefits

- Head cast stainless steel with base in stainless steel
- Safety screw
- High temperature resistance up to 200°C (depending on the seals)
- High working pressure of 25bar
- Optional accessories: mounting bracket, vent valve, stainless steel, other sealing materials such as EPDM, NBR, Silicone, allen wrench, etc.

### Suitable for many Cartridges

Description	Type	Filter grade	Composition
Yarn winding Filter Cartridges	Causawind	1 - 100µm	Yarn winding (PP, cotton) on supporting body (PP, SS 316)
Melt-Blown Filter Cartridges	Causafine, Causapure, Causagard	1 - 50µm 0,5 - 100µm 1 - 100µm (abs.)	Constructively different polypropylene melt blown Filter cartridges. Depending on type, single or multi-layer.
Micro Glass Fibre-Filter Cartridges	Causa-Polyglas-R	0.3 - 5µm	Depth filter plug with very high dirt holding capacity and high separation sharpness. Safe through integrated PE post-filter.
Pleated Filter Cartridges	Causafil Causasave Causa-PES	0.2 - 20µm (99.9%) 0.2 - 40µm (99.99%) 0.04 - 1.2µm (absolute)	Pleated filters with large surface and dirt load capacity. Causa-PES is a membrane filter with absolute separation degrees and can be tested for integrity.
Stainless steel wire mesh Filter Cartridges	Causamesh	ca. 15 - 250µm	Cylindrical round as well as pleated stainless steel wire mesh filter cartridges



TSA/TSB-10

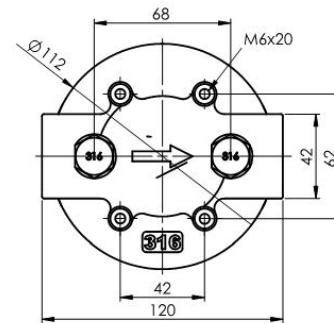
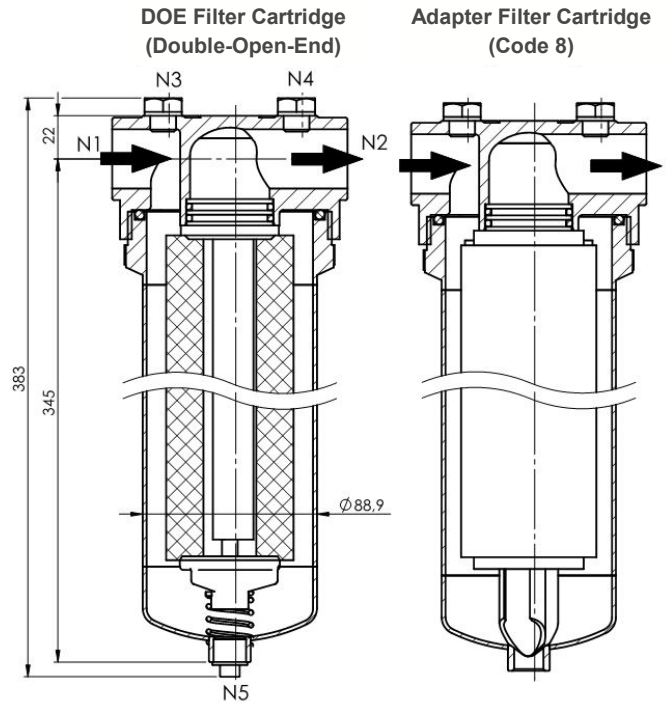
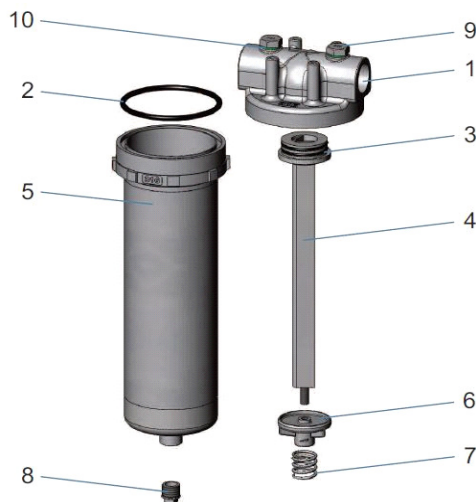
### Technical Data TSA/TSB

<b>Max. Working pressure</b>	25bar @ 80°C
<b>Max. Temperature</b>	80°C (depending on seal and operating pressure up to 300°C)
<b>In 6 outlet connections</b>	G1" (N1 and N2)
<b>Drain port</b>	G 3/8" (N5)
<b>Vent port</b>	G 1/4" (N3 and N4)
<b>Material housing</b>	Stainless steel 1.4301 or 1.4401
<b>Material gasket</b>	FKM (standard), EPDM or NBR
<b>Gaskets N3 and N4</b>	KLINGERSIL C-4400

# Stainless Steel Filter Housing Type Causa TSA/TSB

## Optional and Spare Parts

No.	Type	Article No.	Description	Material
2	CS8010	900344	O-Ring Head Gasket	FKM (standard)
2	CS8012	900345	O-Ring Head Gasket	NBR
2	CS8013	900349	O Ring Head Gasket	EPDM
2	CS8014	900346	O-Ring Head Gasket	FEP coated
3	CS8015	900320	O-Ring Gasket (Set)	NBR
3	CS8016	900321	O-Ring Gasket (Set)	FKM
3	CS8017	900322	O-Ring Gasket (Set)	EPDM
3	CS8018	900323	O-Ring Gasket (Set)	FEP coated
9	CS8020	900347	Vent G 1/4"	SS AISI 316
8	CS8022	900348	Drain G 3/8"	SS AISI 316
Op.	CS8032	900314	Mounting Brackets	Stainless steel
Op.	CS8036	900315	Opening tool	GF / plastic
Op.	CS8038	900317	Chemical Pressure Gauge 0-10bar	SS 1.4404
Op.	CS8039	900318	Chemical Pressure Gauge 0-25bar	SS 1.4404



## Ordering Information for Causa Filter Housing Types TSA and TSB with Screw Closure

Example: TSB-10-GGA = Type TSB, complete in stainless steel, Filter length 9 3/4" - 10", Filter Ø approx. 63 mm, Filter type DO\_ and adapter code 8 or 3 (222-O-Ring), In- and outlet Rp 1" female thread, drain an FKM gaskets.

Ordering Code Type	Article No.	For Filter Length of		Housing Material (Head / Sump)	End Cap Configuration	Connecio ns Female Thread	Max. Recommended Flow H <sub>2</sub> O [l/min]	Length [mm] with Drain
		Size	DO_ (DOE)					
TSA-05-GGA	310292	5"	4 7/8" - 5" (124-128mm)	AISI 316 / AISI 316	DOE / Code 3 u. 8	G1"	1 - 20	246
TSB-05-GGA*	310293	5"	4 7/8" - 5" (124-128mm)	AISI 304 / AISI 304	DOE / Code 3 u. 8	G1"	1 - 20	246
TSA-10-GGA	310290	10"	9 3/4" - 10" (248-254mm)	AISI 316 / AISI 316	DOE / Code 3 u. 8	G1"	4 - 35	383
TSB-10-GGA*	310291	10"	9 3/4" - 10" (248-254mm)	AISI 304 / AISI 304	DOE / Code 3 u. 8	G1"	4 - 35	383
TSA-20-GGA	310294	20"	19 1/2" - 20" (495-508mm)	AISI 316 / AISI 316	DOE / Code 3 u. 8	G1"	10 - 60	631
TSB-20-GGA*	310295	20"	19 1/2" - 20" (495-508mm)	AISI 304 / AISI 304	DOE / Code 3 u. 8	G1"	10 - 60	631
TSA-30-GGA	310296	30"	30" (762mm)	AISI 316 / AISI 316	DOE / Code 3 u. 8	G1"	10 - 60	879
TSB-30-GGA	310297	30"	30" (762mm)	AISI 304 / AISI 304	DOE / Code 3 u. 8	G1"	10 - 60	879

\*Standard goods in stock