

Self Cleaning Wedge Wire Filter Type Causa CAS

Causa Self Cleaning Wedge Wire Filter For Water and high viscous Media

The self cleaning wedge wire filter separates solids from liquids. The Causa wedge wire filter systems is extremely stably built and laid out for durable employments. The system consist of the following construction units: Two-piece filter housing, wedge wire filter element, scraper basket with plate and gear engine. The liquid flow is through the wedge wire element from the outside to the inside whereby the solid particles will be held back at the outside of the wedge wire element by a scraper plate.

This prevent the formation off filter cake and the associated increase of the differential pressure. The solids set off in the lower part of the filter housing and are, by the system pressure, delivered out over a ball valve. Optionally, the discharge of solids can also be regulated automatically by an electronic control system with differential pressure monitoring and a solenoid valve.

A clogging of the filter element is practically impossible. This is Because of the trapezoid ally inward shape of the wires.

The grade of filtration is determined by the gap of the filter element. The filter element can be changed without special tools.

Features & Benefits

- Self-cleaning without interruption of the filtration
- No waste because of no disposable cartridges
- Minimum product loss
- Easy disassembly of the filter element
- Suitably for nearly all filtration grades of filtration of 35µm to 3mm
- High differential pressure resistance
- Stably build, two-piece housing
- Filtration from outside to inside
- Delivery out by ball valve and optionally automatically with solenoid valve
- Operating temperature up to 200°C (depending of the gasket materials)

Applications of product

- Paint and lacquers
- Dispersions colours
- Printing colours
- Underbody protection
- Adhesives
- Tar products
- Pastes
- Solvent
- Transmission oils
- Emulsions
- Electrophoresis lacquer
- Chocolate mass
- Softener
- Oil



CAS-110 / CAS-050 / CAS-175

Criteria for the selection

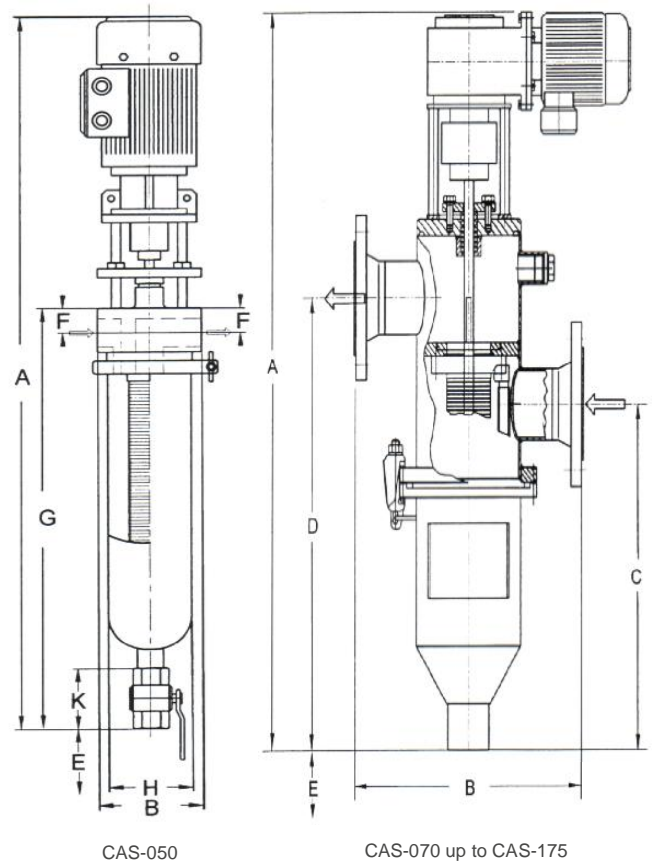
- Filtering medium
- Flow
- Grade of filtration
- Viscosity
- Operating pressure
- Operating temperature
- Amount of the solid particles

Self Cleaning Wedge Wire Filter Type Causa CAS

Technical Data

Causa Self Cleaning Wedge Wire Filters

Filtration grade	35 - 3000 µm
Material housing	CAS-050-GGA: Head SS 1.4301 CAS-070-175: SS 1.4571 (SS 316L)
Material filter element	SS 1.4404
Gasket	O-Ring (FKM)
Max. Operating Pressure	CAS-050: 16 bar CAS-70 - 175: 10 bar
Max. Operating Temperature	200 °C, (with FEP-gasket)
Drive	CAS-050: Spur gear engine CAS-070 - CAS 175 Worm gear engine
Electrical Power	400 V, 50 Hz Other on request
Enclosure	CAS-050: IP54, CAS-070 / 110 / 175: IP65, optional with explosion protection



Ordering Information for Causa Self Cleaning Wedge Wire Filters

Example: CAS-050-GGA = Causa wedge wire filter, type 50, filter grade variable, head in SS316, in - and outlet R 1"

Type	Unit	CAS-050-GGA CAS-050-GGB	CAS-070-GK CAS-070-DN50	CAS-110-DN65	CAS-175-DN80
Flow*	m ³ /h	3,5	13	25	35
Inlet		R 1"	R 2" / Flange DN 50	Flange DN 65	Flange DN 80
Outlet		R 1"	R 2" / Flange DN 50	Flange DN 65	Flange DN 80
Drain		R 3/4"	R 2" / Flange DN 50	R 2" / Flange DN 50	R 2" / Flange DN 50
Vent		R 1/8"	R 3/4"	R 3/4"	R 3/4"
Housing closure	16 bar	Closing clip		Bracket screws	
Overall height	A in mm	810		865	
Connection/flange measure	B in mm	300	365	365	465
Flange height	C in mm	-	370	470	520
Flange height	D in mm	-	500	600	670
Assembly height	E in mm	27	300	400	400
Inlet / Outlet	F in mm	27	-	-	-
Assembly height	G in mm	530	-	-	-
Housing diameter	H in mm	86	-	-	-
Drain valve	K in mm	80	-	-	-
Volume	Litre	1.8	10.5	12.5	22.5
Rated output	W	20	75	75	75
Weight	kg	13	41	47	81

* related to water with 100 µm grade of filtration